

- ◆ RoHS Compliant
- ◆ Operating temperature: 0°C to +70°C
- ◆ Storage temperature: -40°C to +125°C



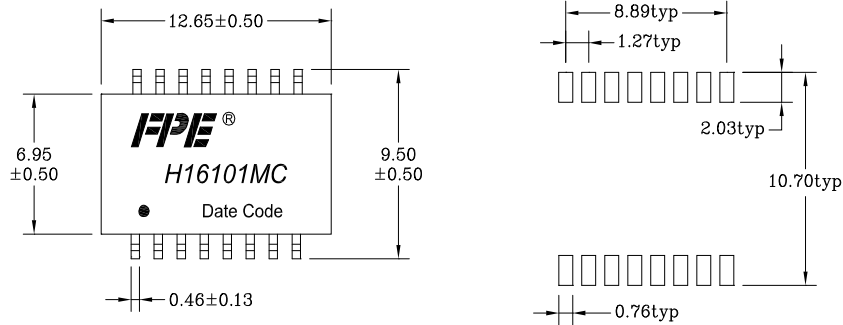
Electrical Specifications @25°C

Part No.	OCL	LK	DCR	Turns Ratio	HI-POT
H16101MC	100 KHz, 0.1V with 8mA DC Bias	100KHz, 0.2V	1.4Ω Max	1CT:1CT±5%	1500Vrms
	350 uH Min	0.5uH Max			

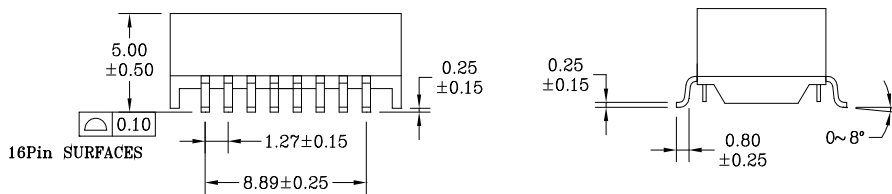
Continue

Insertion Loss	Return Loss			Cross Talk	Common Mode Rejection
0.3-100 MHz	1-30 MHz	30-60 MHz	60-80 MHz	1-100 MHz	1-100 MHz
-1.0 dB Max	-18 dB Min	-14 dB Min	-12 dB Min	-30 dB Min	-30 dB Min

MECHANICAL(Unit:mm)



SUGGESTED PAD LAYOUT



SCHEMATICS

