

- ◆ RoHS Compliant
- ◆ Operating temperature: 0°C to +70°C
- ◆ Storage temperature: -40°C to +85°C



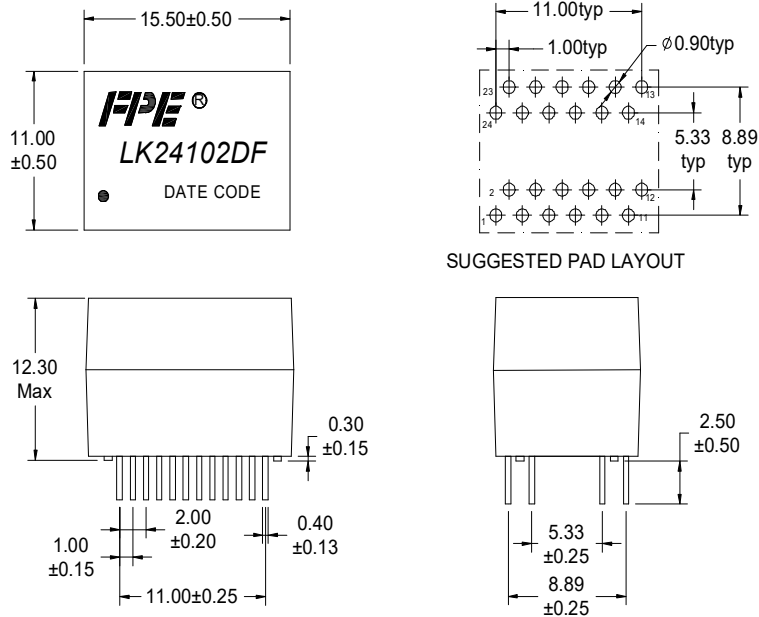
Electrical Specifications @25°C

| Part No. | OCL | LK | DCR | Turns Ratio | HI-POT |
|-----------|---------------|--------------|----------|-------------|-----------------------|
| LK24102DF | 100 KHz, 0.1V | 100KHz, 0.2V | 1.4Ω Max | 1CT:1CT±5% | 1500Vrms 2mA 60Second |
| | 150 uH Min | 0.5uH Max | | | |

Continue

| Insertion Loss | | Return Loss | | Cross Talk | Common Mode Rejection |
|----------------|-------------|-------------|-------------------------|------------|-----------------------|
| 0.3-100 MHz | 100-200 MHz | 1-40 MHz | 40-200 MHz | 1-200MHz | 1-200 MHz |
| -1.0 dB Max | -2.0dB Max | -16 dB Min | -16+10*LOG(f/40) dB Min | -25 dB Min | -25 dB Min |

MECHANICAL(Unit:mm)



SCHEMATICS

