

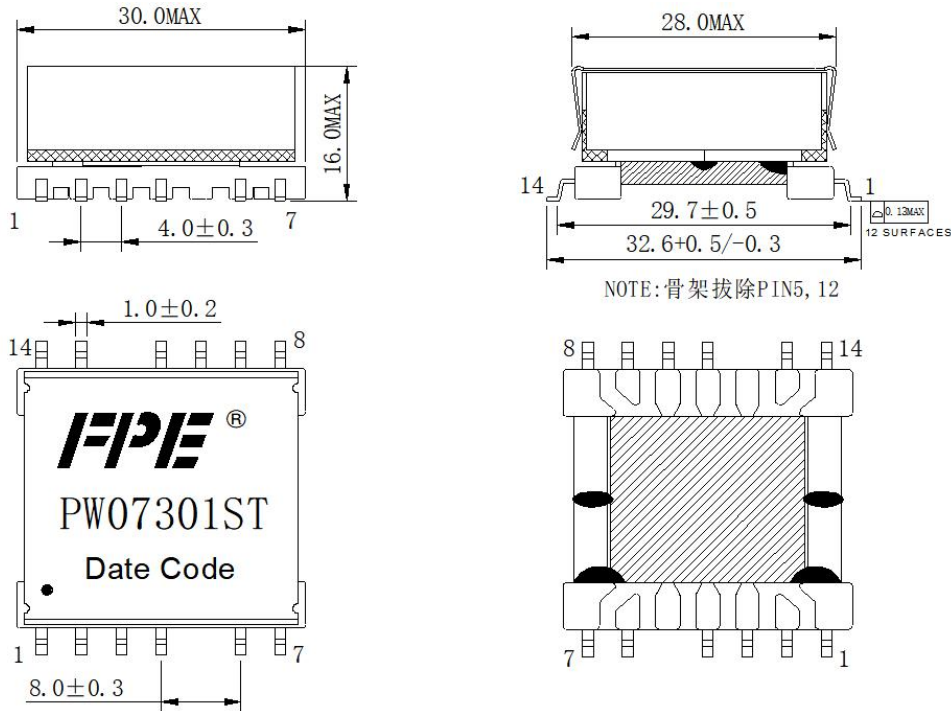
- ◆ RoHS Compliant
- ◆ Operating temperature: -40°C to +125°C
- ◆ Storage temperature: -40°C to +125°C



Electrical Specification @25°C					
PART No.	Ls@200KHz,1V	Ls@200KHz,1V,9.0ADC	LK@200KHz,1V	Turns Ratio	IR (500Vdc)
PW07301ST	1,2-3,4	1,2-3,4	1,2-3,4 (short other pins)	N1:N2:N3:N4	COIL to CORE
	20uH±10%	16uH MIN	1.0uH Max	10:8:5:3±3%	100MΩ Min

Continue						
DCR				HI-POT		Impulse(1500Vac)
1,2-3,4	6-7	8,9-10,11	13-14	PRI to SEC	COIL to CORE	3,4-1,2
26mΩ Max	154mΩ Max	6.5mΩ Max	140mΩ Max	4000Vdc, 2mA,60S	2000Vdc, 2mA,60S	10 pulses without breakdown

**MECHANICAL(Unit:mm)**



**SCHEMATICS**

