

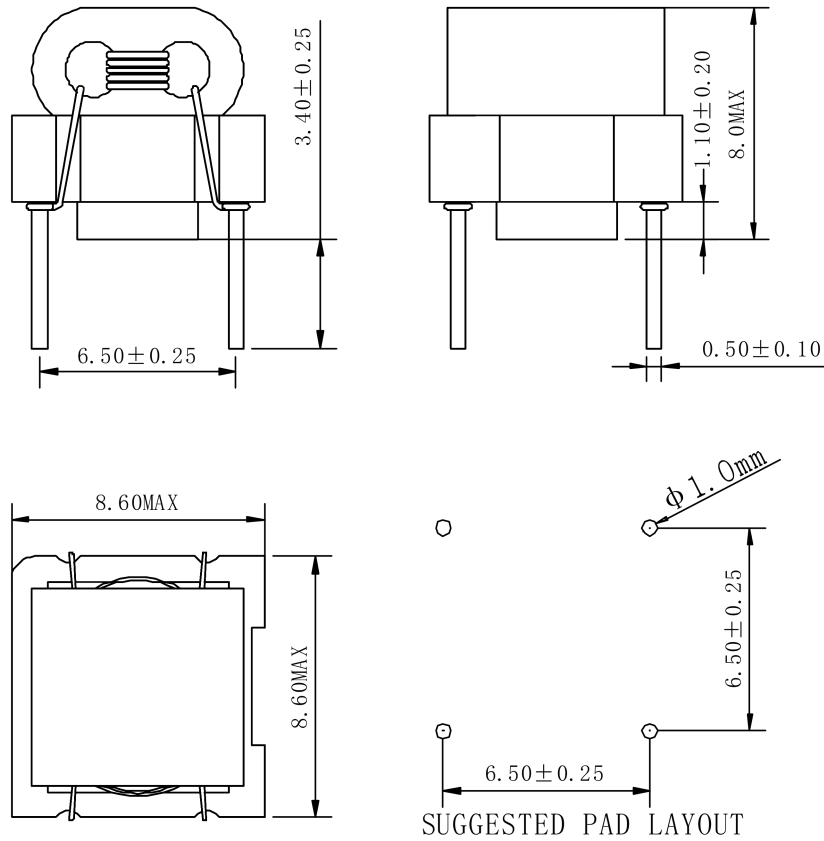


- ◆ RoHS Compliant
- ◆ Frequency 2-68MHz
- ◆ Operating temperature: -40°C to +85°C
- ◆ Storage temperature: -40°C to +85°C

Electrical Specification @25°C			
PART No.	Turns Ratio	OCL@100KHZ, 0.1V	Insertion Loss
RT011011DN	(1-3):(4-6)	18.0uH±30%	2-68 MHz
	1:1		3.0 dB MAX

Continue		
DCR		HI-POT
1-3	4-6	Pri to Sec
150mΩ MAX	160mΩ MAX	3000VAC

MECHANICAL(Unit:mm)



SCHEMATICS

